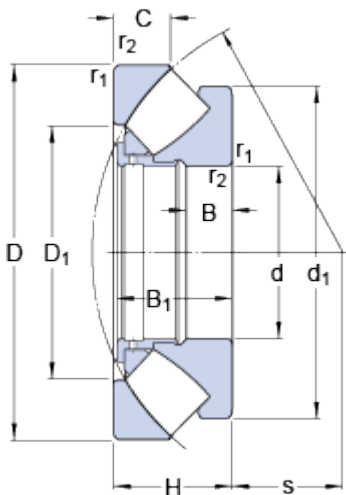


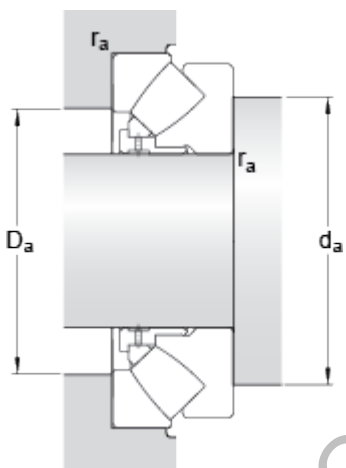
29492E

Dimensions



d	460	mm
D	800	mm
H	206	mm
d ₁	≈ 730	mm
D ₁	≈ 596	mm
B	77	mm
B ₁	199	mm
C	101.5	mm
s	268	mm
r _{1,2}	min. 9.5	mm

Abutment dimensions



d _a	min. 630	mm
D _a	max. 695	mm
r _a	max. 8	mm

Calculation data

Basic dynamic load rating	C	9300	kN
Basic static load rating	C ₀	33500	kN
Fatigue load limit	P _u	2450	kN
Reference speed		430	r/min
Limiting speed		750	r/min
Minimum axial load factor	A	100	

Mass

Mass bearing		425	kg
--------------	--	-----	----